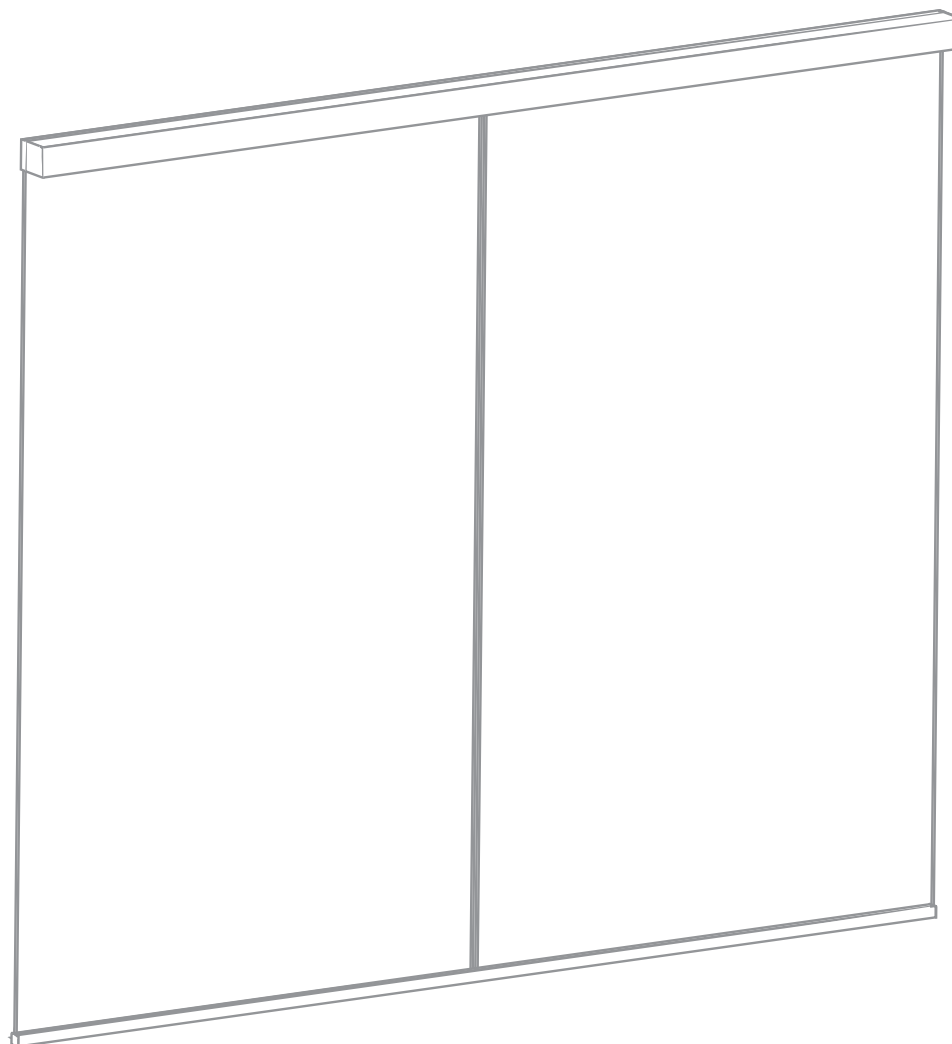


# MUTO Premium XL120

Sidelite mount with Dormotion and Self-close (Wood door)

Installation Manual



# Table of contents

|          |   |          |      |  |
|----------|---|----------|------|--|
| <b>1</b> | <b>Technical specifications</b>   | <b>3</b> |      |  |
| 1.1      | Overview  | 3        |      |  |
| 1.1.1    | General information   | 3        |      |  |
| 1.1.2    | Intended use  | 3        |      |  |
| 1.1.3    | Glass requirements and fittings   | 3        |      |  |
| 1.1.4    | Requirements for glass panel  | 3        |      |  |
| 1.1.5    | Safety instructions   | 3        |      |  |
| 1.1.6    | Symbols used - Safety/Installation  | 3        |      |  |
| 1.1.7    | Maintenance, care, repair   | 3        |      |  |
| 1.1.8    | Disposal  | 3        |      |  |
| 1.2      | Specifications - technical data   | 4        |      |  |
| <b>2</b> | <b>Installation instructions</b>  | <b>5</b> |      |  |
| 2.1      | Overall   | 5        |      |  |
| 2.2      | Door/wall dimensions  | 6        |      |  |
| 2.3      | Installing the end stops  | 7        |      |  |
| 2.4      | Securing track to mounting surface  | 8        |      |  |
| 2.5      | Securing sidelite section profile to track  | 8        |      |  |
| 2.6      | Installing u-channel for sidelite   | 9        |      |  |
| 2.7      | Installing sidelite glass   | 9        |      |  |
| 2.8      | Install sidelite glass filler panel   | 10       |      |  |
| 2.9      | Install sidelite glass gasket   | 10       |      |  |
| 2.10     | Disengaging the anti-jump   | 11       |      |  |
| 2.11     | Securing wood door adaptor  | 11       |      |  |
| 2.12     | Installing roller carriers  | 12       |      |  |
| 2.13     | Installing DORMOTION start/stop   | 13       |      |  |
| 2.14     | Install door/rollers on track   | 14       |      |  |
| 2.15     | Install floor guide   | 14       |      |  |
| 2.16     | Engaging anti-jump  | 15       |      |  |
| 2.17     | Adjustment door height  | 15       |      |  |
| 2.18     | Adjustment end stops:<br>LEADING end stop<br>Adjustment end stops:<br>TRAILING end stop | 16       |      |  |
| 2.19     | Install LH DORMOTION unit - door closed   | 17       |      |  |
| 2.20     | Install RH DORMOTION unit - door open   | 18       |      |  |
| 2.21     | Adjust start/stop pin height (if necessary)   | 19       |      |  |
| 2.22     | Self-close unit: Install self-close<br>hold open clamp                                  | 19       |      |  |
|          |   |          | 2.23 | Self close unit: Install self-close<br>hold open ball 20       |
|          |   |          | 2.24 | Self-close unit: Install self-close<br>cable connector 20      |
|          |   |          | 2.25 | Self-close unit: Install self-close cable unit 21              |
|          |   |          | 2.26 | Self-close unit: Prepare self-close cable unit 21              |
|          |   |          | 2.27 | Self-close unit: Adjust tension in<br>self-close cable unit 22 |
|          |   |          | 2.28 | Install cover clips 23   |
|          |   |          | 2.29 | Cover spacers 23   |
|          |   |          | 2.30 | Install brush profile 24                                       |
|          |   |          | 2.31 | Install view protection clips 24                               |
|          |   |          | 2.32 | Install cover and view protection profile 25                   |
|          |   |          | 2.33 | Install end caps 25  |

# 1 Technical specifications

## 1.1 Overview

These instructions are for installation of MUTO PREMIUM sliding door system XL120 (wood door) for the following mounting and style versions:

### 1. Sidelite mount

#### 1.1.1 General information

- dormakaba requires use of tempered monolithic or tempered laminated glass.
- dormakaba glass hardware is not suitable for application in rooms where chemicals (e.g. chlorine) are used as indoor swimming pools, saunas or salt-water pools.
- Never move sliding panels faster than walking speed and always stop the door manually before it reaches end position.
- Do not slide doors with excessive force. Install limiting stop to prevent door from opening too far.

#### 1.1.2 Intended use

- For sliding door in dry indoor areas only
- For manual slowly opening and closing only

#### 1.1.3 Glass requirements and fittings

- The substructure/wall must be able to bear permanent loads and be level (max. tolerance: 1/16" [2] per 39" [1m]).
- Fasteners must be sufficiently dimensioned for the substructure/wall and weight of the door.
- When adjusting glass components, always stick to the required clearance for the respective hardware. Adjust clearance so glass does not come in contact with any hard surfaces such as glass, metal or concrete.
- Do not use excessive force when installing the glass (avoid over tightening screws).

#### 1.1.4 Requirements for glass panel

- dormakaba requires use of fully tempered glass, which complies with ASTM C 1036 and ASTM C 1048. Secondary heat soaking processes are recommended but not required. This applies to both tempered monolithic and tempered laminated glass.
- Clamping area must be flat and uncoated (no self-cleaning coating!)
- Never use glass with conchoidal fractures and/or damaged edges.

#### 1.1.5 Safety instructions

- Installation requires two people.
- Only properly qualified and specially trained staff are authorized to mount dormakaba glass hardware.

- Due to crushing hazards and possible injury caused by breakage of glass during mounting, corresponding protective clothing (especially gloves and protective goggles) is required.
- Never clamp metal fitting hardware directly to glass surface.

#### 1.1.6 Symbols used - Safety/Installation



##### CAUTION

Mounting components must meet the requirements of substructure/wall and door weight. Please read the technical information for fittings.



##### WARNING

Risk of breaking glass. When installing the door, support the door panel with a block of wood or similar object.



##### TIPS AND RECOMMENDATIONS

Information note



##### CLOSING EDGE

#### 1.1.7 Maintenance, care, repair

- Immediately replace damaged parts.
- Always use original dormakaba parts.
- Clean clamping area with alcohol-based standard commercial cleaning agent before mounting the glass hardware.
- Use a damp clothe for occasional cleaning, especially the track.
- Always use silicone - and oil-free cleaners (e.g. acetone).
- Check glass hardware at regular intervals for proper positioning and smooth operation and correct adjustment.
- High traffic door systems require inspection by properly qualified staff (specialized companies or installation firms.)

#### 1.1.8 Disposal

Disposal in accordance with local, state and national regulations.

## 1.2 Specifications - technical data

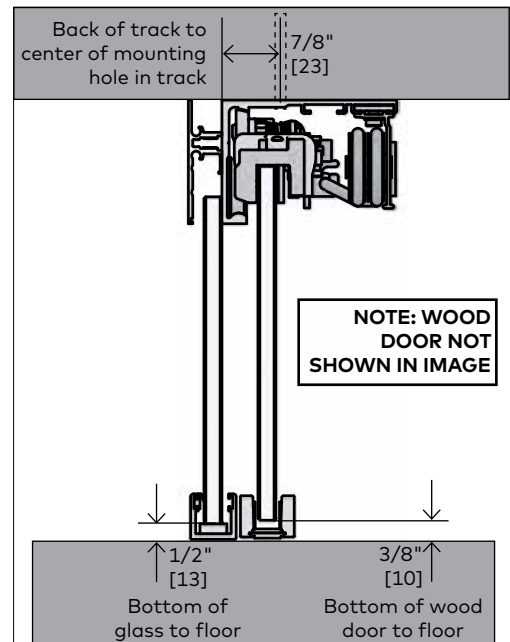
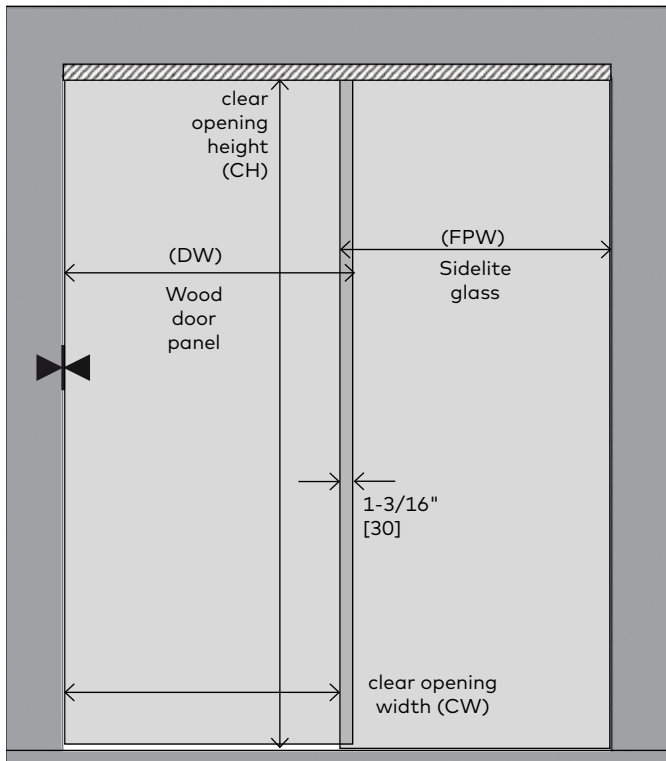
|                      |                            | Single Door       | Double Door               |
|----------------------|----------------------------|-------------------|---------------------------|
|                      |                            | XL120             | XL120                     |
| <b>Ceiling mount</b> | Door leaf weight lbs [kg]* | ≤264lbs<br>[≤120] | 2 x ≤264lbs<br>[2 x ≤120] |

\* Including weight of auxiliary hardware.

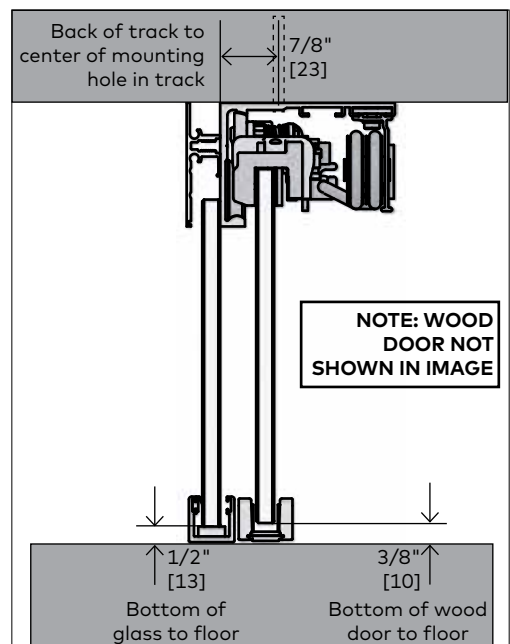
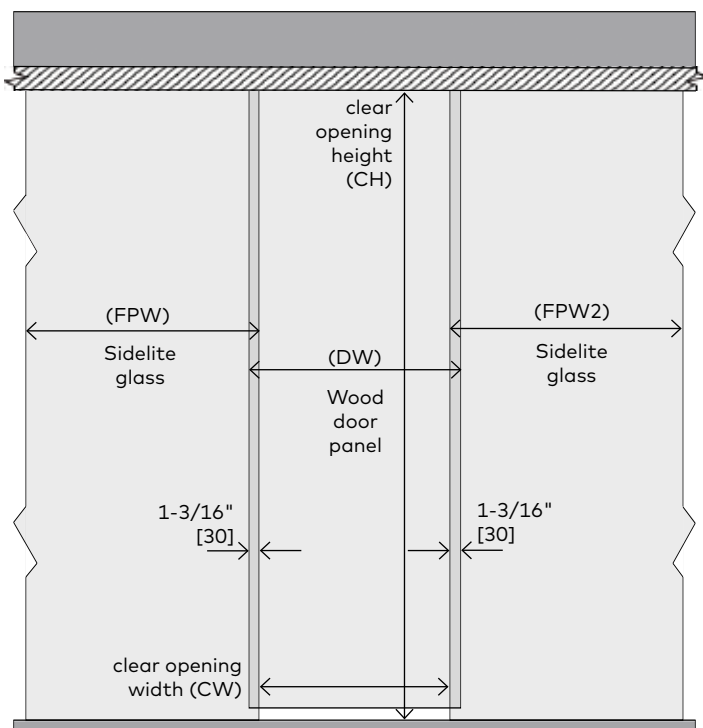


## 2.2 Door/wall dimensions

Single sidelite mount



Multiple sidelite mount



Installation Instructions

**NOTE:**

**Overhead Reinforcement:**

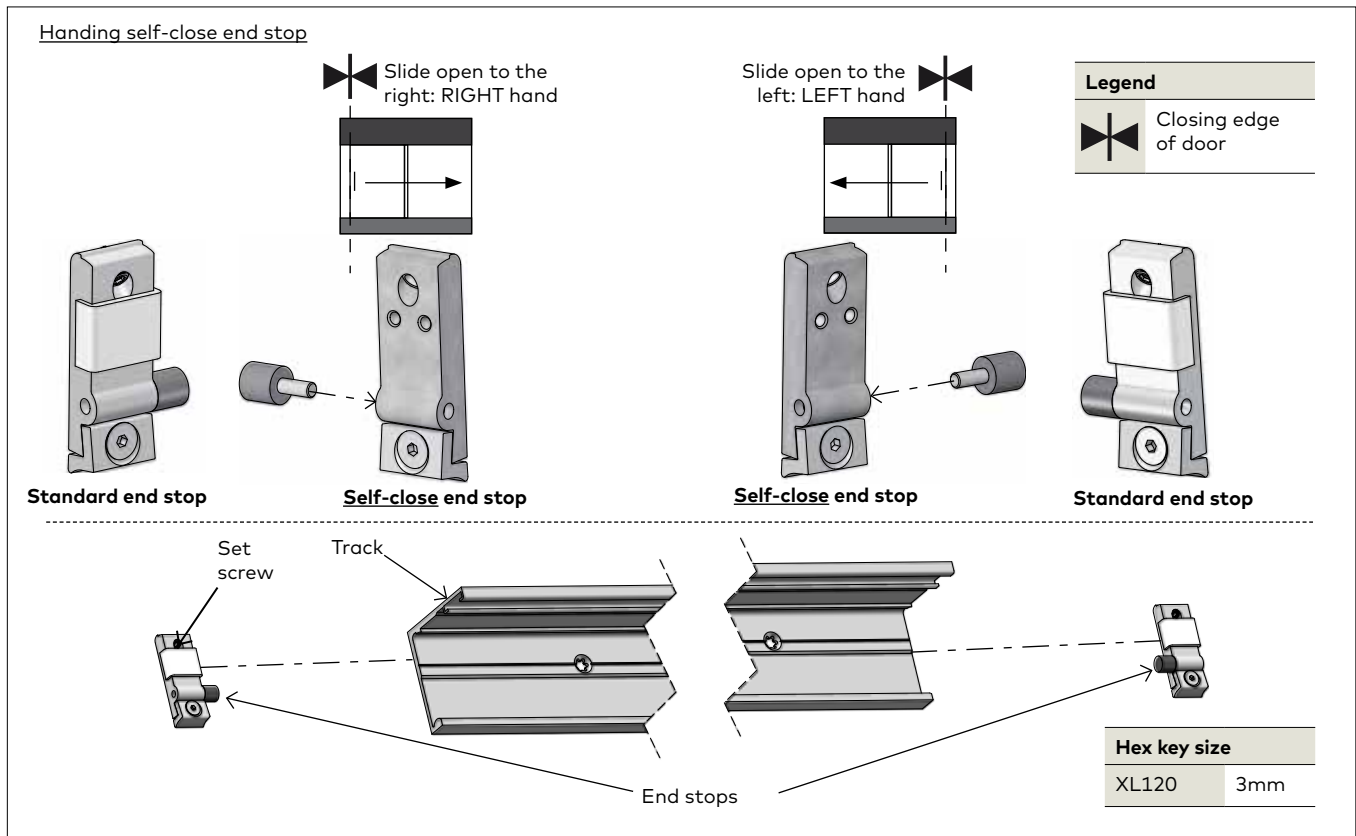
The overhead reinforcement must be a minimum of ¼" [6] x 3" [76] steel angle, 16 gauge metal stud, or two pieces of 1-1/2" [38] thick wood blocking [double stacked], secured to studs or joists on a maximum 16" [406] centers for the length of the track. The overhead reinforcement may be flush on the overhead surface or on the interior of this surface.

Track mounting screws must fully penetrate the steel angle, metal stud, or at a minimum of 2" [51] into wood blocking, utilizing the predrilled holes in the MUTO track.

Consult with a structural engineer to determine if reinforcement is adequate for your specific application or to meet specific codes in your location.

## 2.3 Installing the end stops

Fig. 1



**Handing the [closing side] end stop:**

2.3.1 Determine closing edge of door.

• **SELF-CLOSE END STOP WILL BE USED ON CLOSING SIDE OF DOOR.**

2.3.2 Hand self-close end stop by inserting bumper on appropriate side of end stop.

**Install both end stops:**

2.3.3 Closing side of track: self-close end stop

2.3.4 Opening side of track: standard end stop

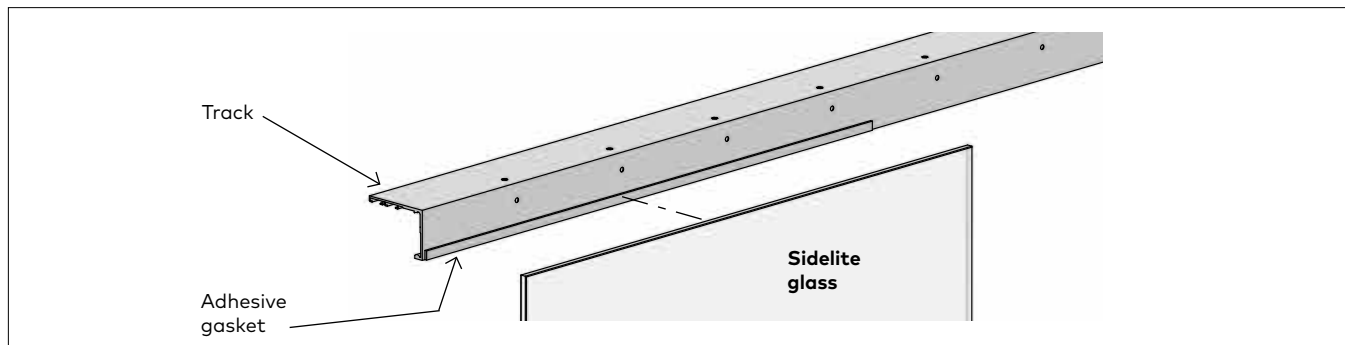
NOTE: Loosen bottom section of end stop for easier install.

NOTE: Be sure set screw is flush with back of bumper.

NOTE: Exact location/adjustments will be determined in the "Adjust End Stop Location" step.

## 2.4 Securing track to mounting surface

Fig. 2



2.4.1 Ensure the track is cut to proper length.

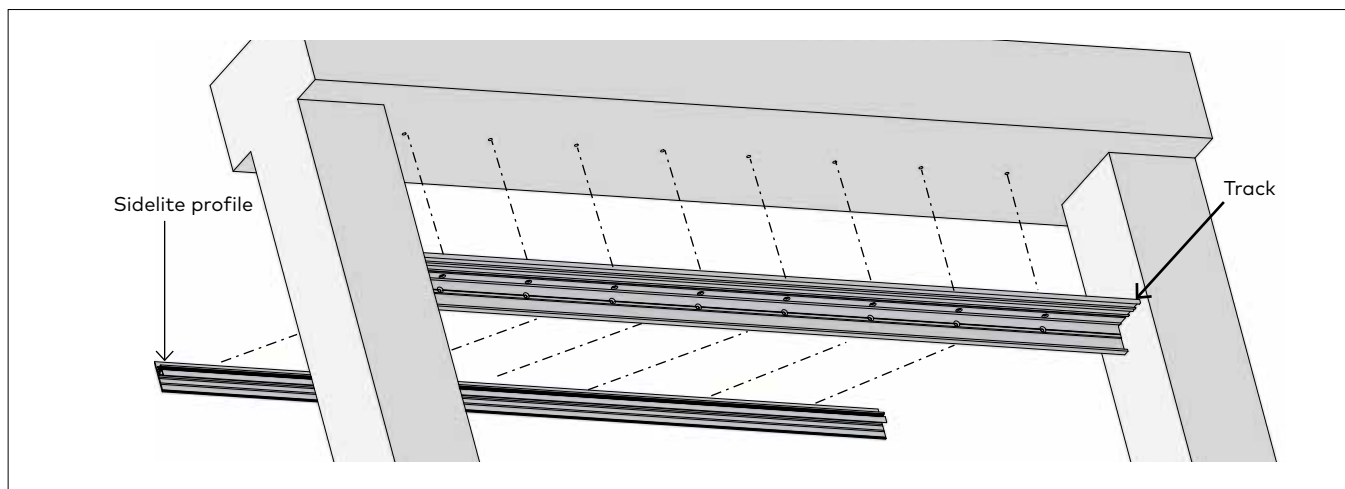
**NOTE: SEE DIMENSION INSTRUCTIONS ON PAGE 6.**

2.4.2 Cut adhesive gasket equal to sidelite glass width.

2.4.3 Adhere gasket along bottom edge of back of track.

## 2.5 Securing sidelite section profile to track

Fig. 3



2.5.1 Secure track to mounting surface.

2.5.2 Align sidelite profile holes with track profile holes.

**NOTE: Holes will be predrilled every 7-7/8" [200mm].**

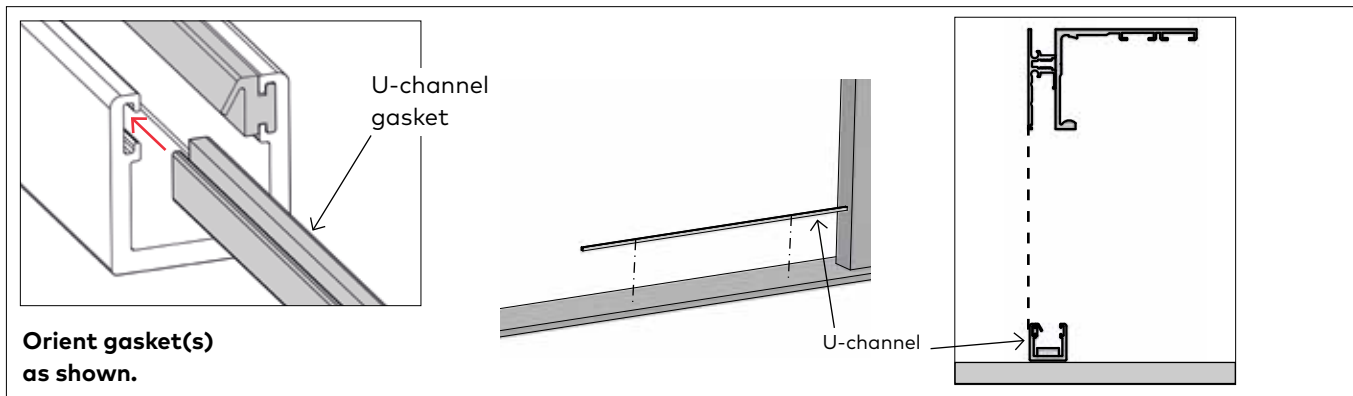
2.5.3 Secure with proper fasteners.

**NOTE: Be sure fasteners are flush with track to avoid rollers catching protruding fasteners.**



## 2.6 Installing u-channel for sidelite

Fig. 4



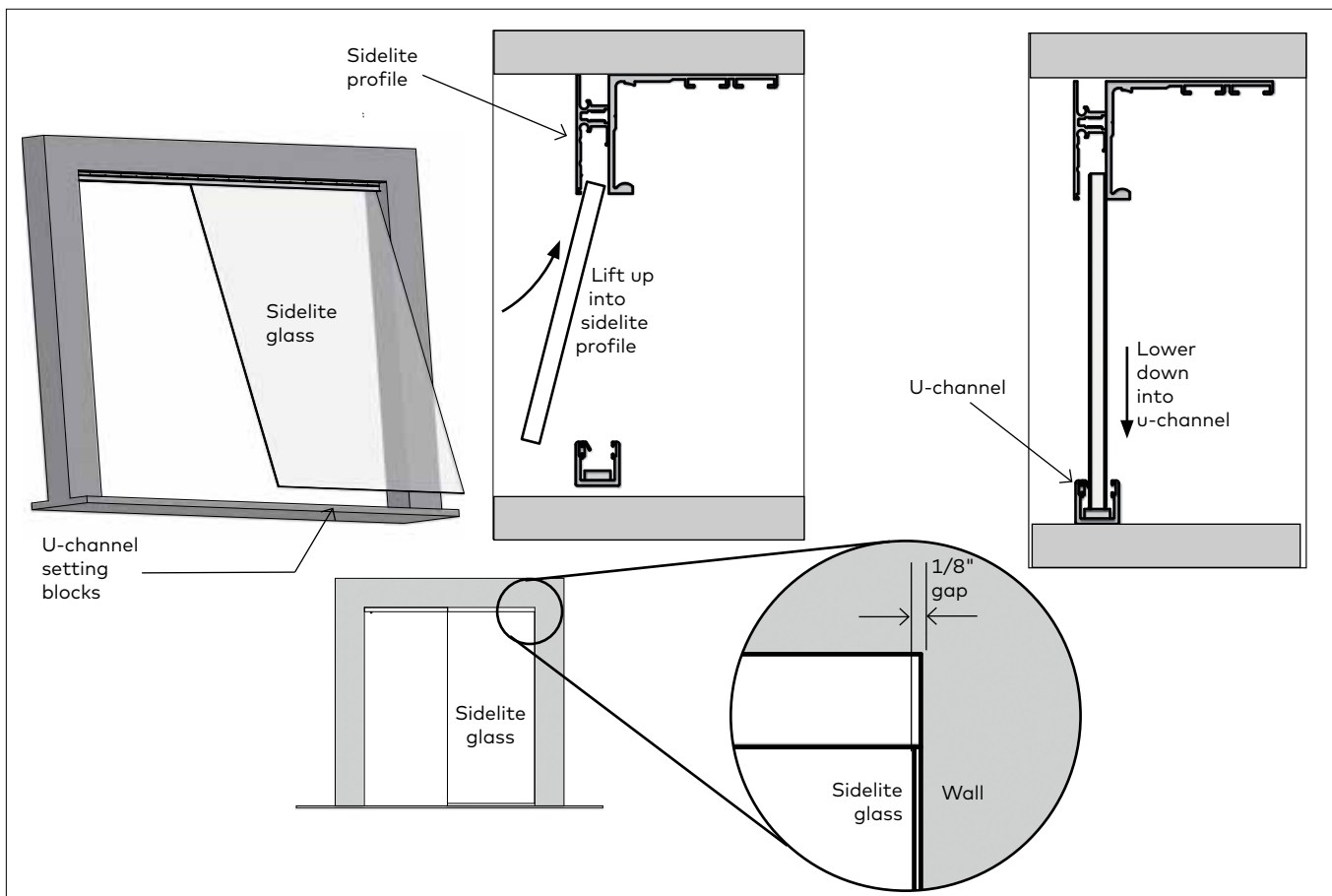
2.6.1 Secure u-channel to floor using appropriate fasteners.

**NOTE: Ensure u-channel is plumb and the back of the u-channel profile aligns with back of sidelite profile.**

**NOTE: Gaskets are pre-installed.**

## 2.7 Installing sidelite glass

Fig. 5



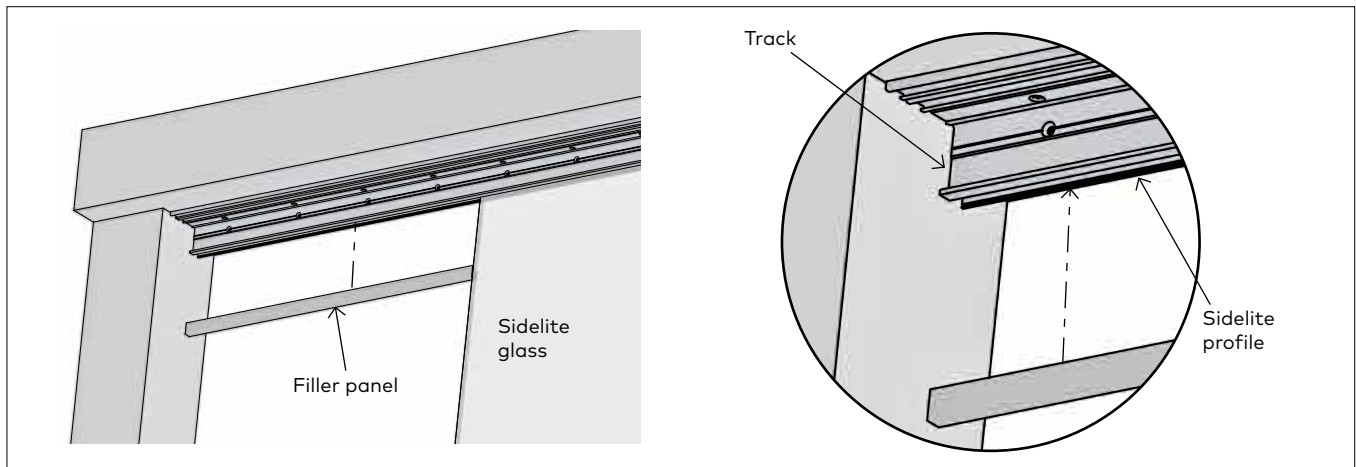
2.7.1 Place setting blocks into u-channel.  
2.7.2 Spray inside of u-channel with glass cleaner.  
2.7.3 Lift glass up and into sidelite profile.

2.7.4 Lower glass into u-channel.  
2.7.5 Ensure there is 1/8" [3mm] gap between wall and edge of sidelite glass.

2.7.6 **If using tempered laminated glass, gently press glass panel against u-channel gasket and dispense silicone along full length of non-gasket side of u-channel.**

## 2.8 Install sidelite glass filler panel

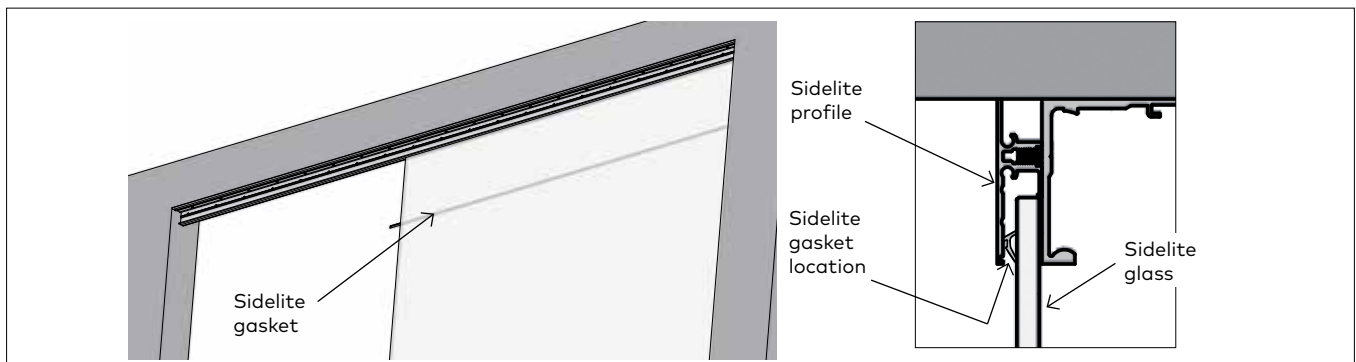
Fig. 6



- 2.8.1 Fit filler panel between track and sidelite profile, on door side.

## 2.9 Install sidelite glass gasket

Fig. 7

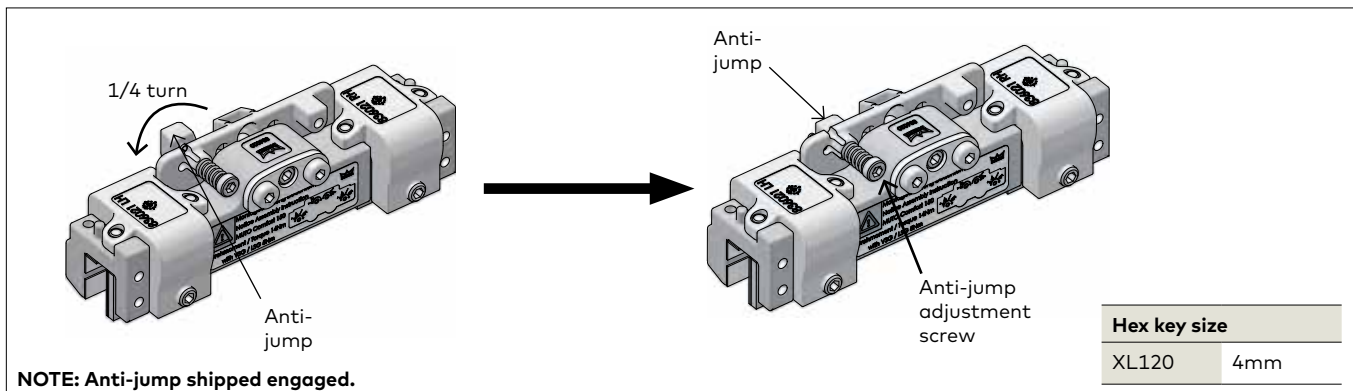


- 2.9.1 Cut gasket to length per chart above.

- 2.9.2 Press gasket in between sidelite glass and sidelite profile.

## 2.10 Disengaging the anti-jump

Fig. 8

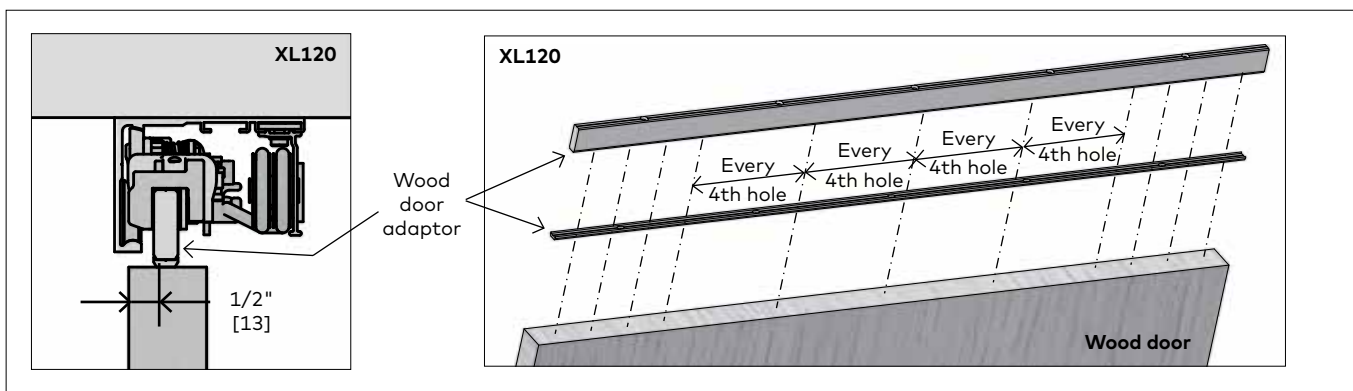


2.10.1 Disengage the anti-jump on roller carrier.

2.10.2 Using a appropriate-size hex key, push anti-jump adjustment screw IN and turn **COUNTER-CLOCKWISE** to **disengage** anti-jump.

## 2.11 Securing wood door adaptor

Fig. 9



**NOTE: Top of door must be reinforced to secure wood door adaptor.**

2.11.1 Prepare door properly for wood door adaptor.

**NOTE: Seal top and bottom of door to minimize warping (use wood door manufacturer's recommendations).**

2.11.2 Cut wood door adaptor to be equal width of door.

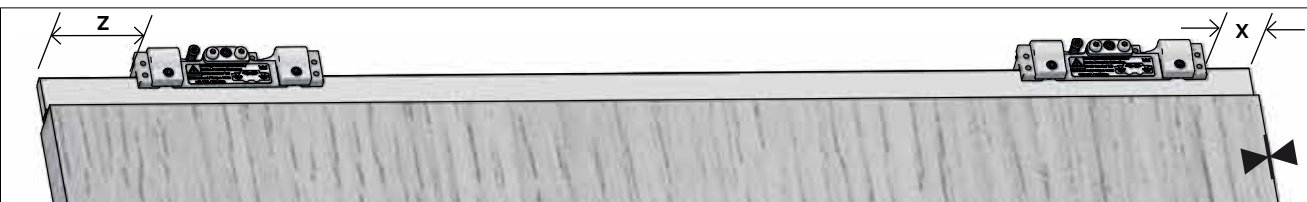
2.11.3 Secure the two wood door adaptor pieces to top of wood door with #10 x 3" wood screws.

**NOTE: Be sure screws are always secured in the first four and last four holes of the adaptor, along with every fourth hole in between.**

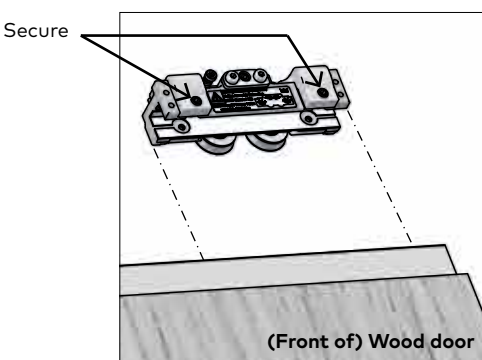
## 2.12 Installing roller carriers

Fig. 10

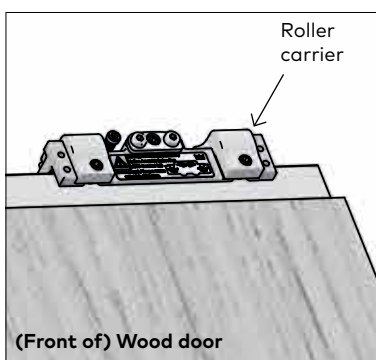
**DETERMINE THE LEADING (X) VERSUS TRAILING (Z) EDGE OF THE GLASS.**  
**"LEADING IS SIDE CLOSEST TO LATCH CLOSED."**



| Roller location on glass with DORMOTION unit |   |             |
|--|---|-------------|
|  |   | XL120       |
| Single door                                  | X | 2-3/8" [60] |
| Single door                                  | Z | 3-1/8" [80] |
| Double door                                  | X | 2-3/8" [60] |
| Double door                                  | Z | 3-1/8" [80] |



(Front of) Wood door



(Front of) Wood door

| Legend |                      |
|--------|----------------------|
|        | Closing edge of door |

| Hex key size |     |
|--------------|-----|
| XL120        | 4mm |

| Torque value: |                   |
|---------------|-------------------|
| XL120         | 10.3ft lbs [14Nm] |

**NOTE: FULLY CLEAN SURFACE OF ADAPTOR WITH AN ALCOHOL-BASED MILD GLASS AND SURFACE CLEANER.**

**ENSURE GASKET IS FREE OF DEBRIS.**

**ENSURE ROLLER CARRIER WHEELS ARE FREE OF DEBRIS.**

2.12.1 Slide roller carriers onto wood door adaptor.

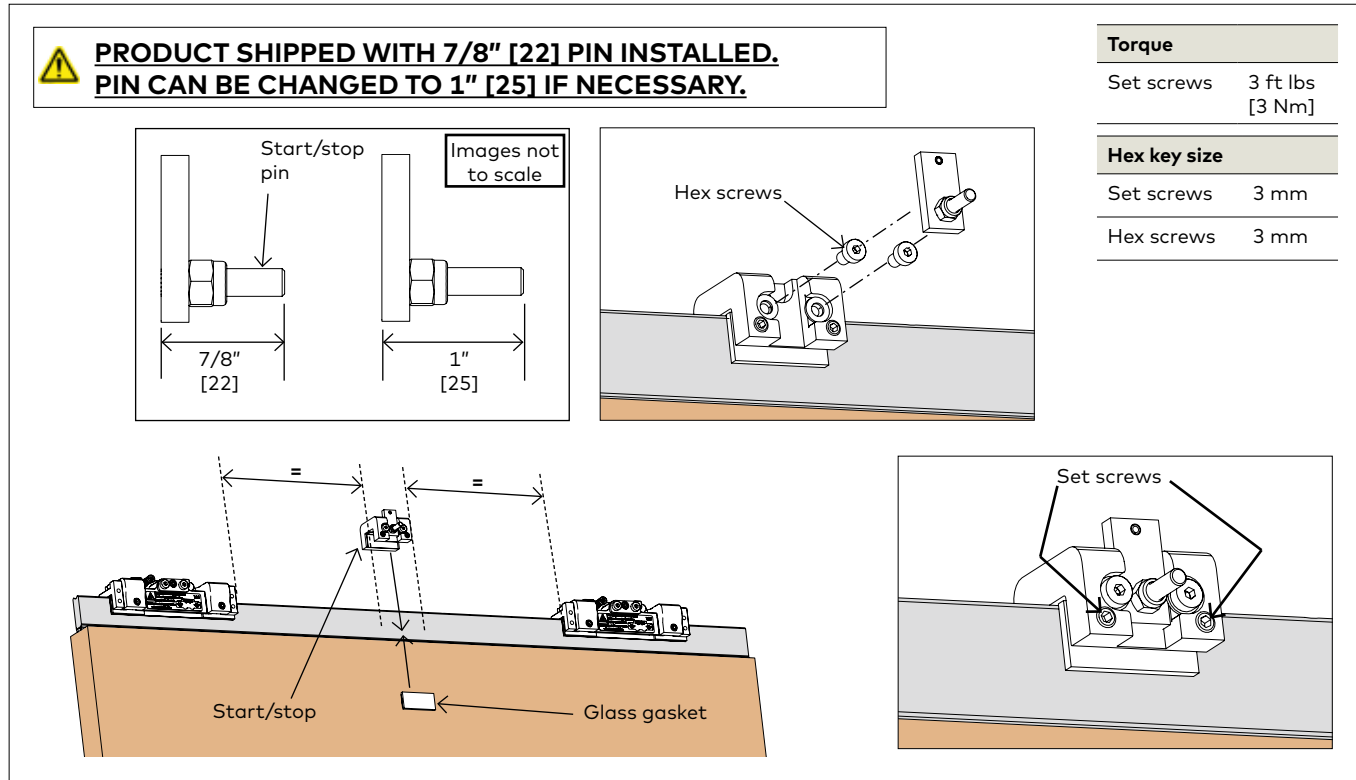
2.12.2 Slide gasket and metal shim between adaptor and roller carrier.

**NOTE: Orient with gasket facing the adaptor.**

2.12.3 Secure roller carriers to wood door adaptor using appropriate-size hex key at 10ft lbs (14 Nm).

## 2.13 Installing DORMOTION start/stop

Fig. 11



**NOTE:** Determine a pin length based upon how square and plumb the opening is.

2.13.1 If required, change pin in start/stop assembly.

- Remove hex screws.
- Remove existing pin and plate.
- Swap in appropriate pin and plate.
- Replace hex screws.

2.13.2 Slide start/stop onto glass.

2.13.3 Center equally between the carriers.

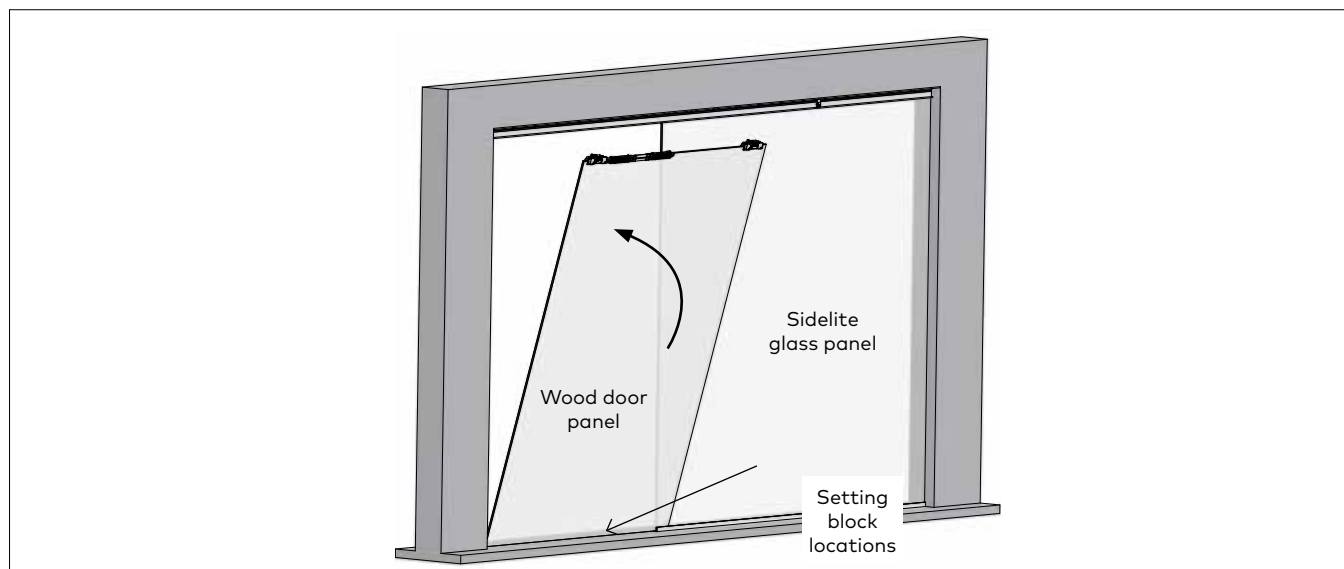
2.13.4 Slide glass gasket between start/stop and wood door adaptor.

**NOTE:** Orient with gasket facing adaptor.

2.13.5 Secure start/stop via set screws.

## 2.14 Install door/rollers on track

Fig. 12

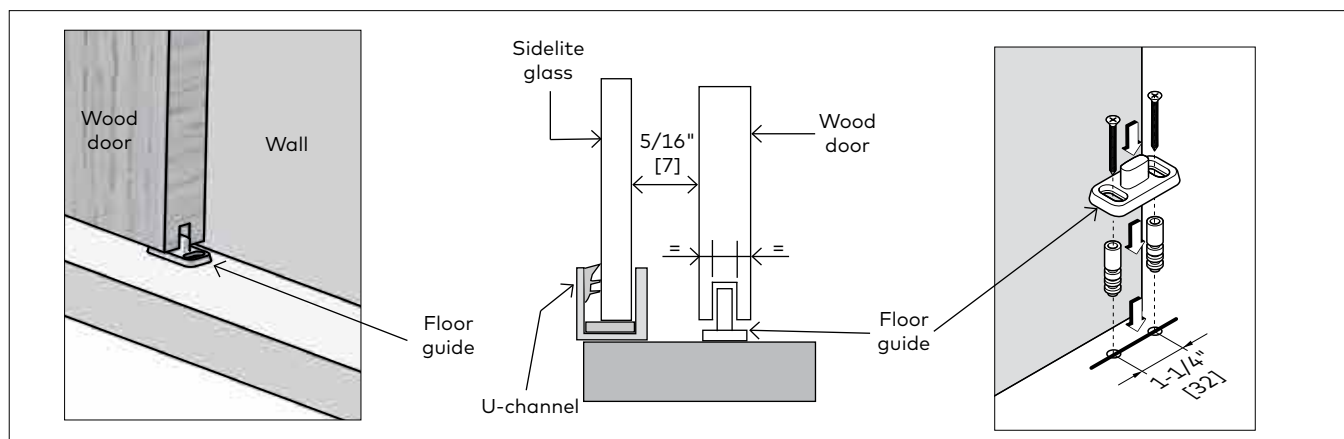


**⚠ ENSURE ROLLERS AND TRACK ARE FREE OF DEBRIS.**

2.14.1 Tip wood door and rollers upward and rest rollers on track.

## 2.15 Install floor guide

Fig. 13



**⚠ REMEMBER ANTI-JUMP IS DISENGAGED!**

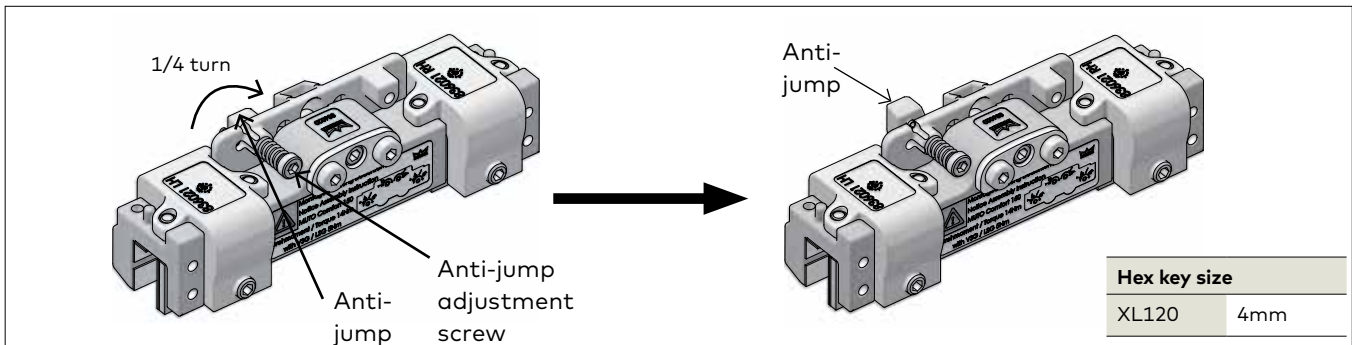
- 2.15.1 Temporarily slide floor guide into bottom groove of wood door.
- 2.15.2 Be sure the door is plumb.
- 2.15.3 Mark appropriate floor guide measurements.

2.15.4 **TEMPORARILY REMOVE WOOD DOOR AND ROLLERS FROM TRACK (TO ALLOW FOR DRILLING SPACE).**

- 2.15.5 Pre-drill into mounting surface using a 5/16" drill bit.
- 2.15.6 Secure floor guide with included fasteners.
- 2.15.7 **SET WOOD DOOR AND ROLLERS BACK ONTO TRACK.**

## 2.16 Engaging anti-jump

Fig. 14

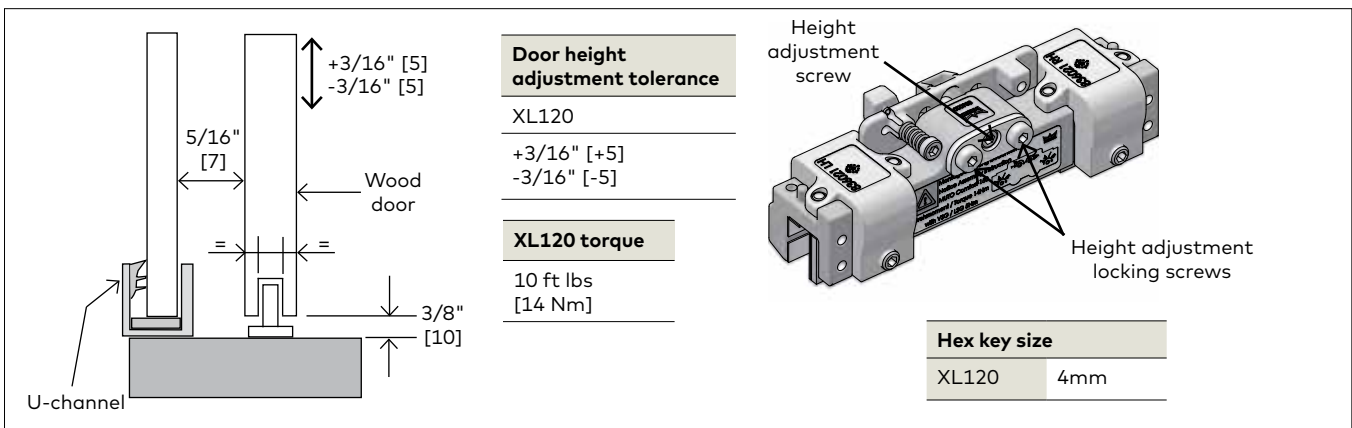


2.16.1 Engage the anti-jump on roller carrier.

2.16.2 Using the appropriate-size hex key, push anti-jump adjustment screw **IN** and turn **CLOCKWISE** to **engage** anti-jump.

## 2.17 Adjustment door height

Fig. 15



2.17.1 Set height of glass door.

2.17.2 Loosen height adjustment locking screws of carrier.

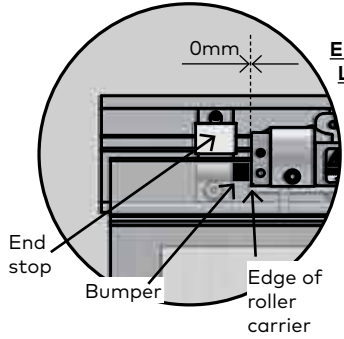
2.17.3 Using appropriate-size hex key, turn height adjustment screw **CLOCKWISE** or **COUNTER-CLOCKWISE** to raise or lower door.

**NOTE: Be sure wood door is level during this adjustment.**

Installation Instructions

## 2.18 Adjustment end stops: LEADING end stop

Fig. 16



**END STOP LOCATION:  
LEADING EDGE**

0mm

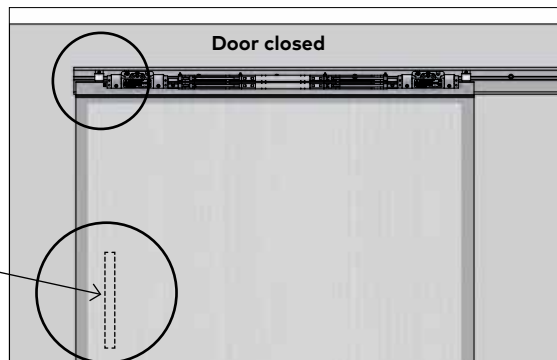
End stop

Bumper

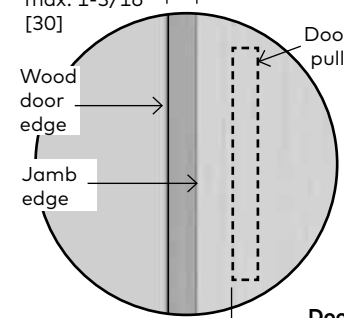
Edge of roller carrier

**NOTE: bi-folding:  
Be sure there is a  
1/4" [6] gap between  
the right and left  
sets.**

| Hex key size |     |
|--------------|-----|
| XL120        | 3mm |



**Door closed**



Door overlap on wall  
max. 1-3/16" [30]

Wood door edge

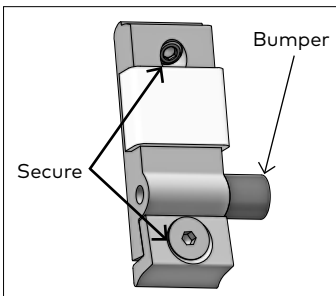
Jamb edge

Door pull

**Door pull to jamb distance.  
\*Verify with local jurisdiction.\***

**Set end stop locations:**

2.18.1 Slide end stop to desired location on track. Bumper should touch edge of roller carrier.



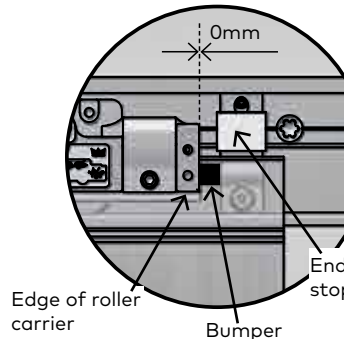
Bumper

Secure

|                 |
|-----------------|
| XL120 torque    |
| 3 ft lbs [4 Nm] |

## Adjustment end stops: TRAILING end stop

Fig. 17



**END STOP LOCATION:  
TRAILING EDGE**

0mm

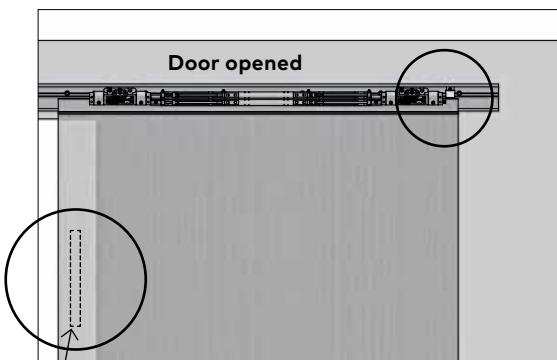
Edge of roller carrier

Bumper

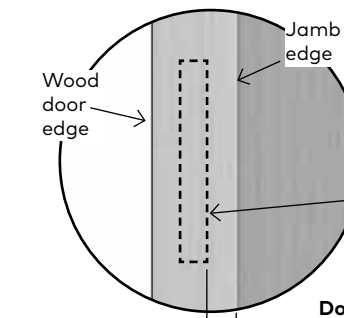
End stop

**NOTE: bi-folding:  
Be sure there is a  
1/4" [6] gap between  
the right and left  
sets.**

| Hex key size |     |
|--------------|-----|
| XL120        | 3mm |



**Door opened**



Wood door edge

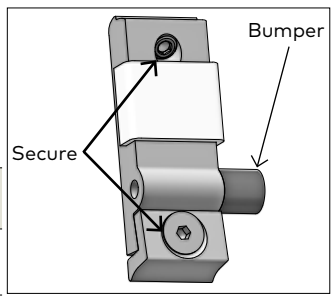
Jamb edge

Door pull

**Door pull to jamb distance.  
\*Verify with local jurisdiction.\***

**Set end stop locations:**

2.18.1 Slide end stop to desired location on track. Bumper should touch edge of roller carrier.



Bumper

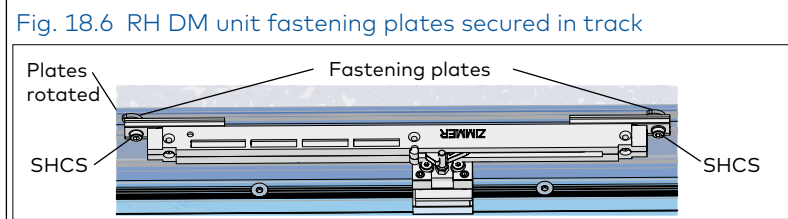
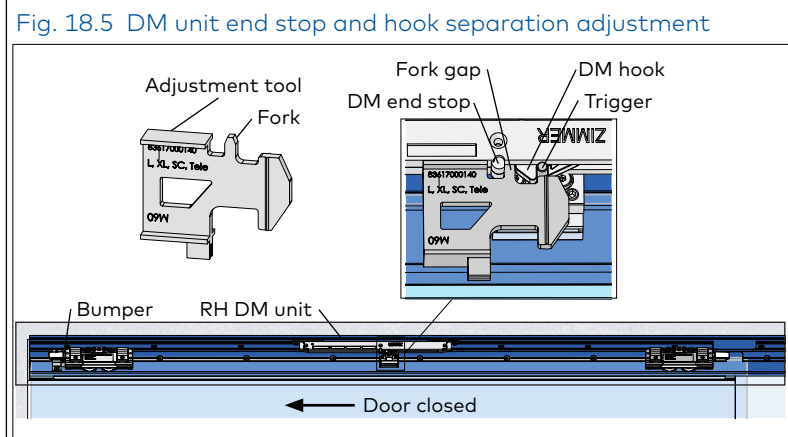
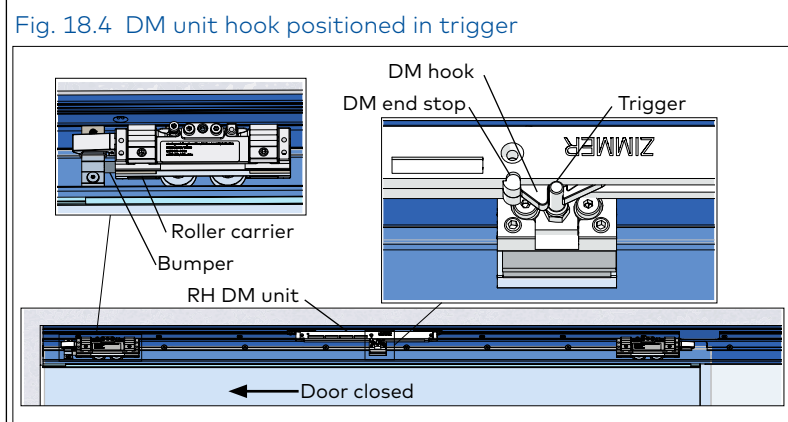
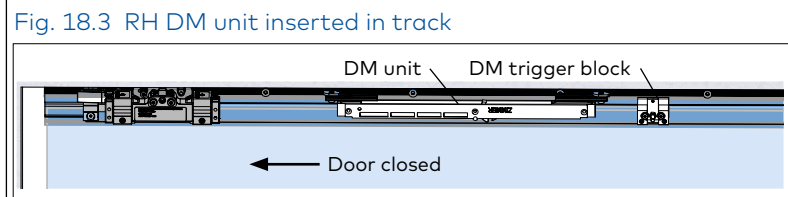
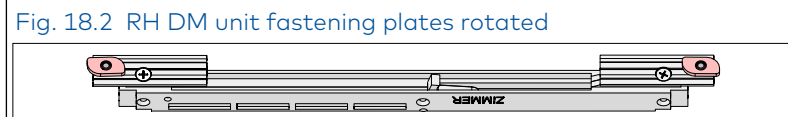
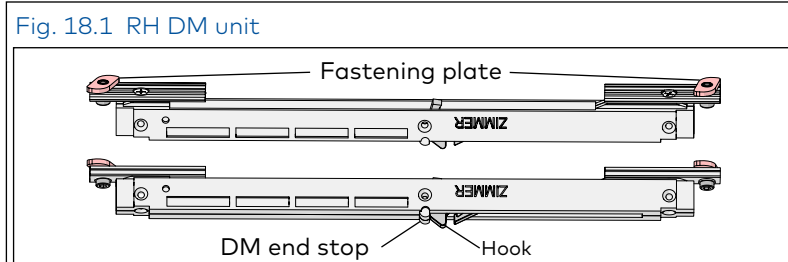
Secure

|                 |
|-----------------|
| XL120 torque    |
| 3 ft lbs [4 Nm] |



## 2.19 Install RH DORMOTION unit - door closed

Fig. 18



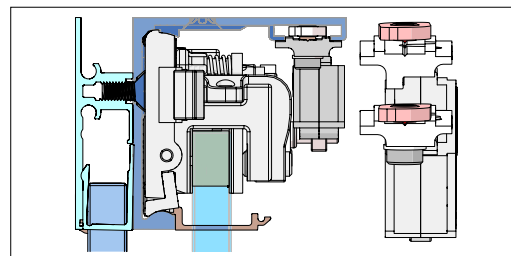
### 2.18.1 Rotate RH DM fastening plates.

- Using 4 mm hex key, loosen fastening plate hex screws.
- Rotate fastening plates until they are parallel to the DM unit (Fig. 18.2)
- Snug hex screws.

### 2.18.2 Move door to close position.

- For installation of RH DM unit, door must be in the closed position against bumper.

Fig. 18.7 RH DM unit aligned in track



### 2.18.3 Align DM unit in track, engage DM hook in DM trigger.

- Align DM unit in track (Fig. 18.7).
- Slide DM unit over the DM trigger block until the DM hook engages the DM trigger (Fig. 18.4)

### 2.18.4 Use adjustment tool to set DM unit final position.

- Place adjustment tool flat against DM unit with fork between DM hook and DM end stop (Fig. 18.5).
- Slide DM unit over until hook and DM end stop are against the fork. This sets 5 mm gap (fork gap).
- **Trigger height:** Adjust so trigger sets on top of adjustment tool (Para. 2.21).

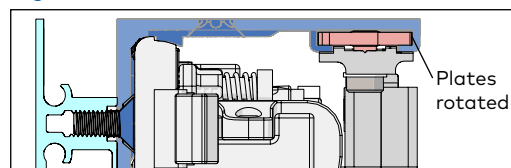
### 2.18.5 Secure the DM unit in position.

- NOTE: Insure door is fully closed against bumper before performing this step.
- Using 4 mm hex key, tighten DM unit fastening plate socket head cap screws. Fastening plates must engage the track (Fig. 18.6 and .8).

#### Torque

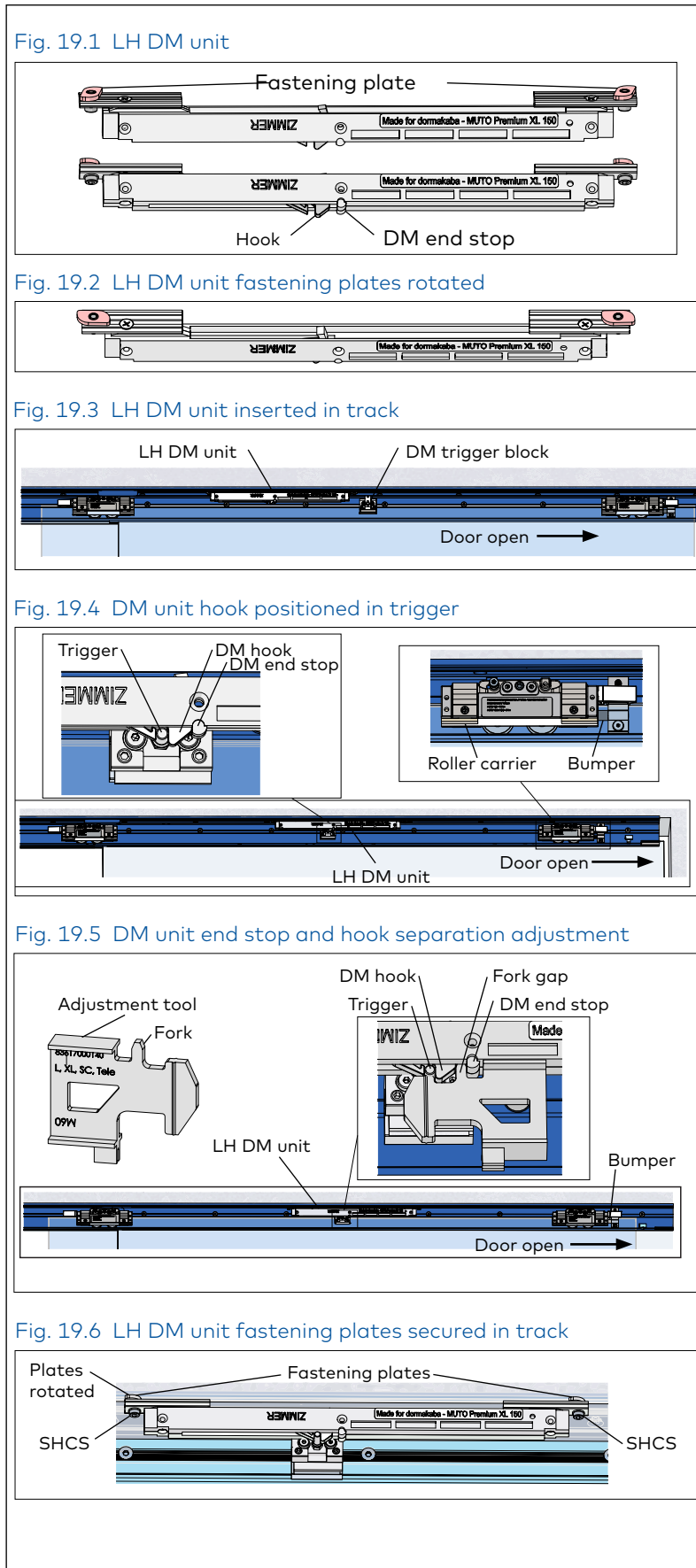
Socket head cap screws 3 ft lbs [4 Nm]

Fig. 18.8 RH DM unit installed in track



## 2.20 Install LH DORMOTION unit - door open

Fig. 19



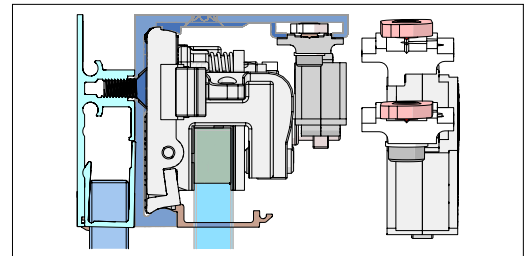
### 2.20.1 Rotate DM fastening plates.

- Using 4 mm hex key, loosen fastening plate hex screws.
- Rotate fastening plates until they are parallel to the DM unit (Fig. 19.2)
- Snug hex screws.

### 2.20.2 Move door to open position.

- For installation of LH DM unit, door must be in the open position against bumper.

Fig. 19.7 LH DM unit aligned in track



### 2.20.3 Align DM unit in track, engage DM hook in DM trigger.

- Align DM unit in track (Fig. 19.7).
- Slide DM unit over the DM trigger block until the DM hook engages the DM trigger (Fig. 19.4)

### 2.20.4 Set DM unit final position.

- Place adjustment tool flat against DM unit with fork between DM hook and DM end stop (Fig. 19.5).
- Slide DM unit over until hook and DM end stop are against the fork. This sets 5 mm gap (fork gap).
- **Trigger height:** Adjust so trigger sets on top of adjustment tool (Para. 2.21).

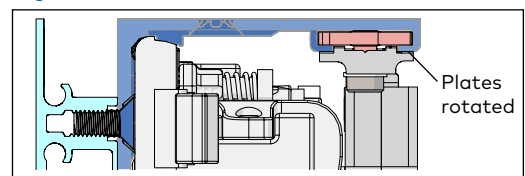
### 2.20.6 Secure the DM unit in position.

- NOTE: Insure door is fully open against bumper before performing this step.
- Using 4 mm hex key, tighten DM unit fastening plate socket head cap screws . Fastening plates must engage the track (Fig. 19.8).

#### Torque

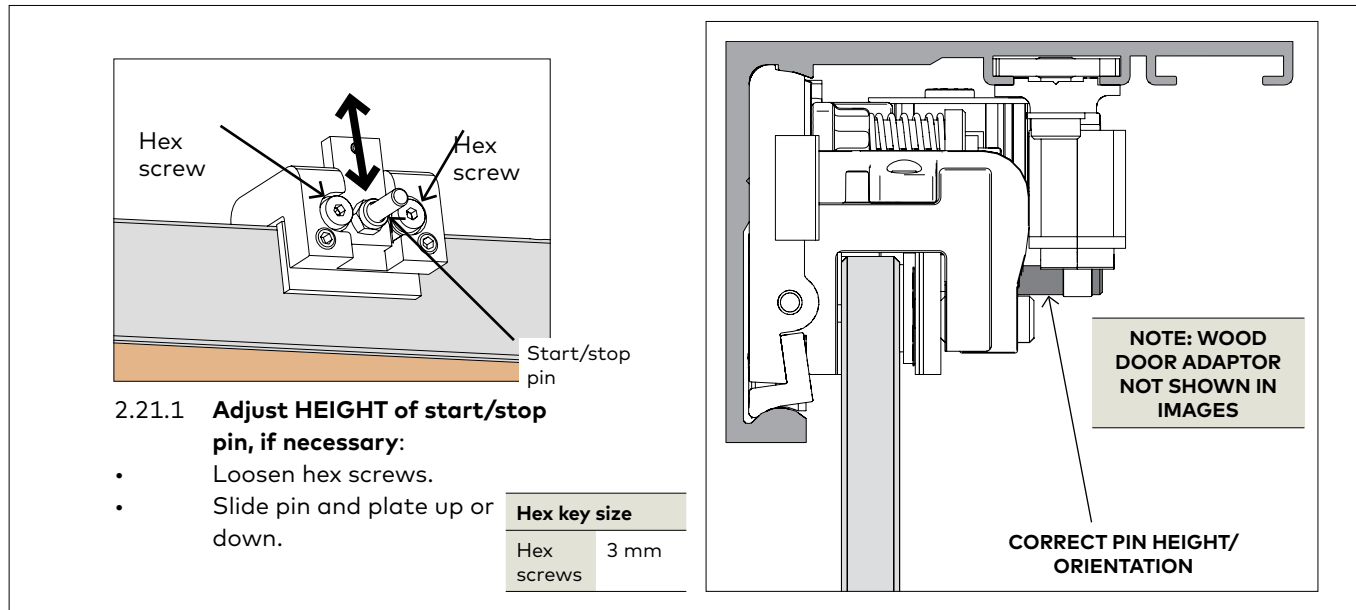
Socket head cap screws 3 ft lbs [4 Nm]

Fig. 19.8 LH DM unit installed in track



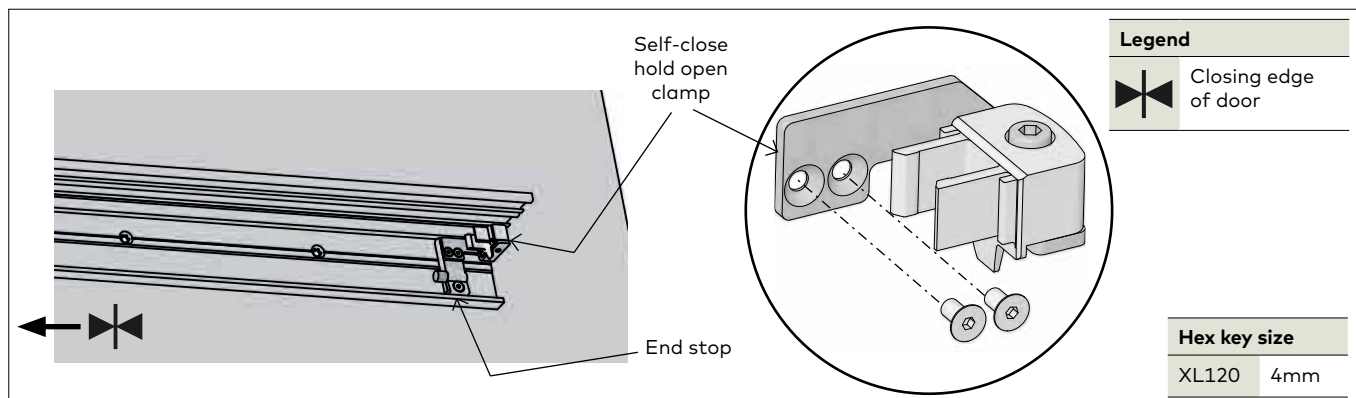
## 2.21 Install DORMOTION unit

Fig. 20



## 2.22 Install DORMOTION unit

Fig. 21

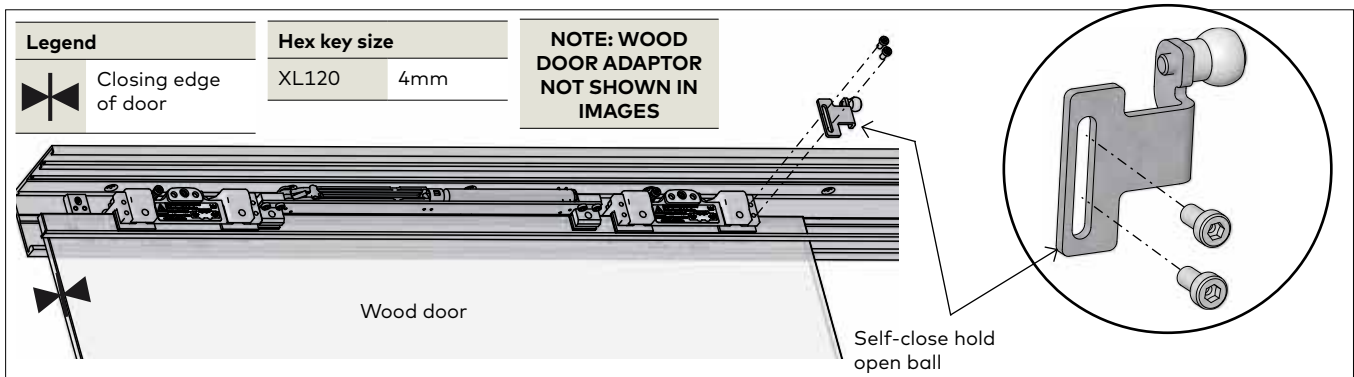


2.22.1 Secure self-close hold open clamp to the end stop furthest from latch [closing side].

- Use two screws and tighten to 2.5 ft lbs (3Nm).

## 2.23 Adjust start/stop pin height (if necessary)

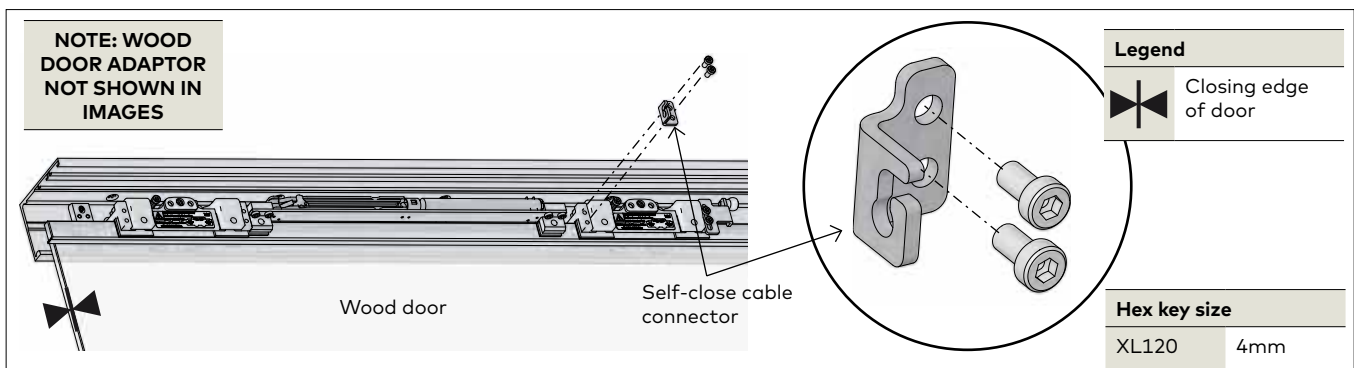
Fig. 22



- 2.23.1 Secure self-close hold open ball to carrier furthest from latch [closing side].
- Use two screws and tighten at 2.5 ft lbs [3Nm].

## 2.24 Self-close unit: Install self-close hold open clamp

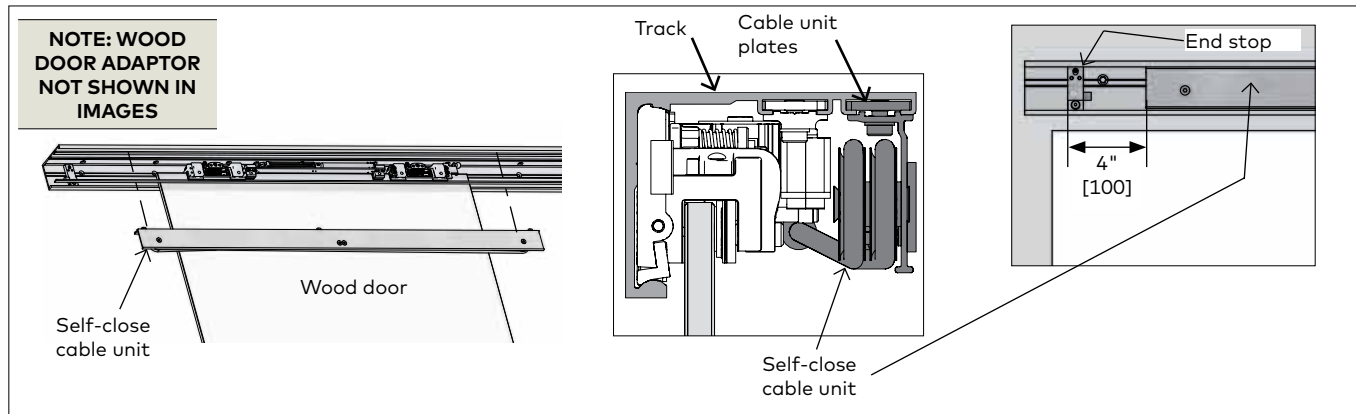
Fig. 23



- 2.24.1 Secure self-close cable connector to opposite end of carrier, furthest from latch [closing side].
- Use two screws and tighten at 2.5 ft lbs [3Nm].

## 2.25 Self close unit: Install self-close hold open ball

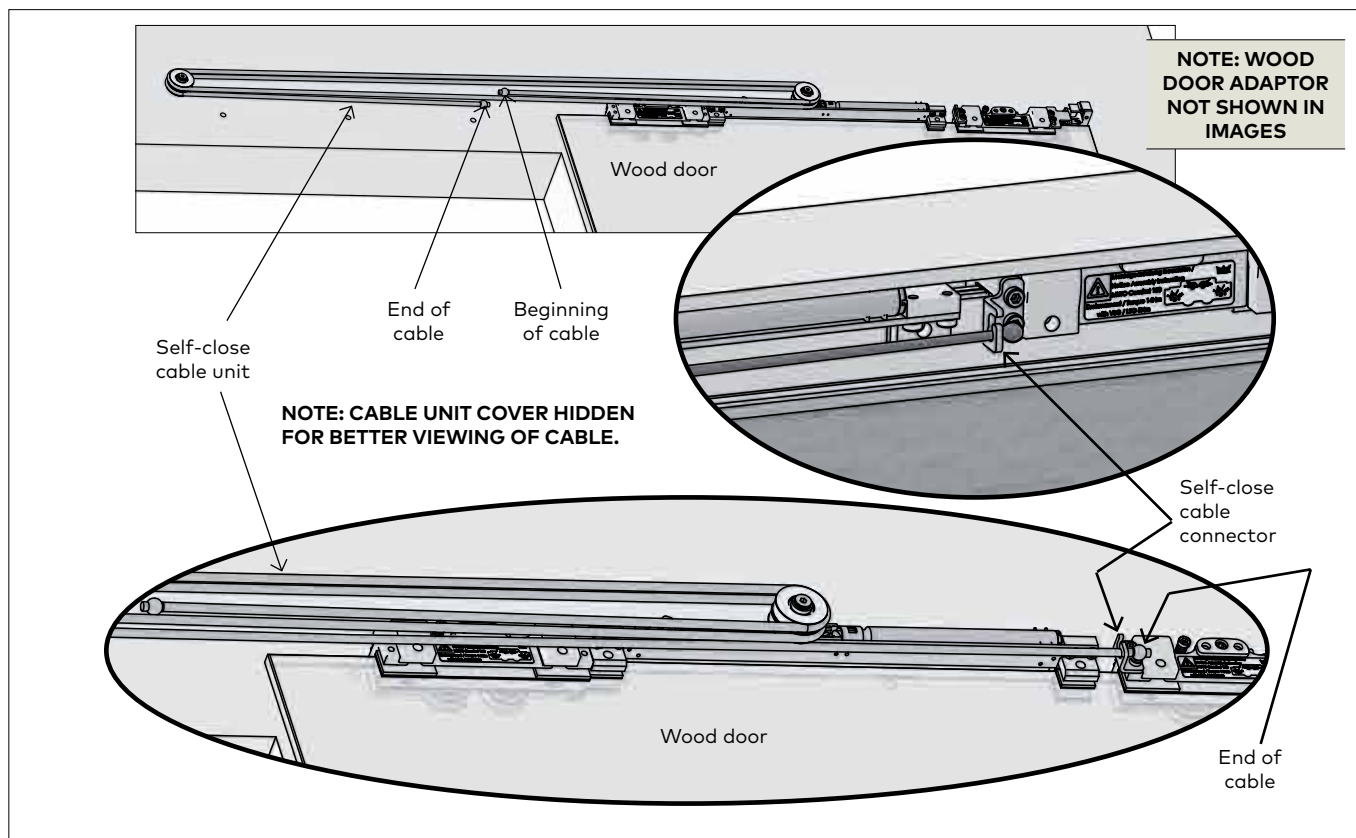
Fig. 24



- 2.25.1 Secure self-close cable unit into first groove of MUTO track.
- 2.25.2 Rotate plates inside track channel to engage.
- Use three screws/plates and tighten at 3 ft lbs [4 Nm].

## 2.26 Self-close unit: Install self-close cable connector

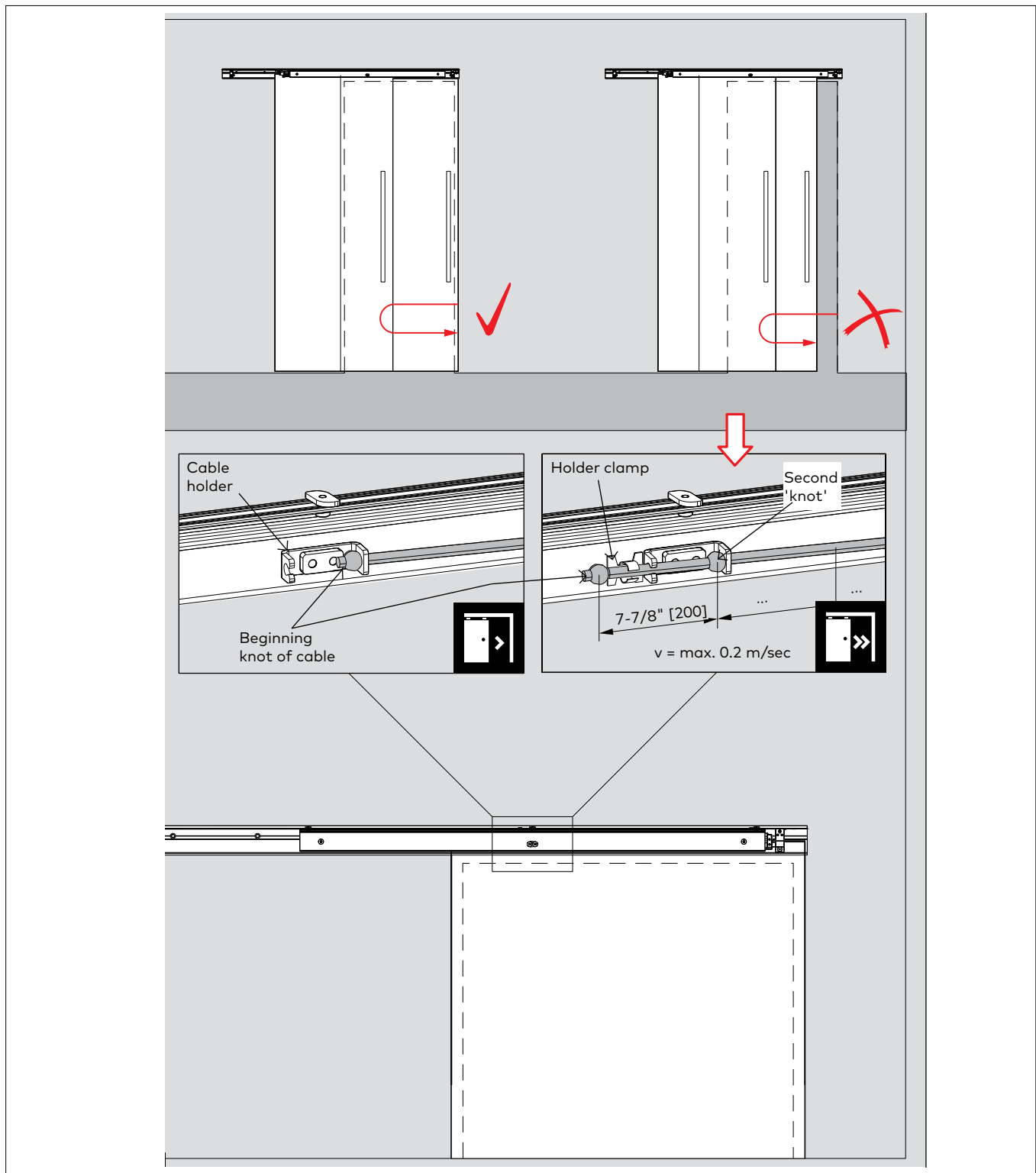
Fig. 25



- 2.26.1 Pull "end of cable" over to connect with cable connector.
- 2.25.2 Continue to pull cable through connector to either increase or decrease self-closing tension.

## 2.27 Self-close unit: Install self-close cable unit

Fig. 26



2.27.1 To adjust tension in cable unit cord if necessary, pull 'beginning knot of cable' through cable holder.

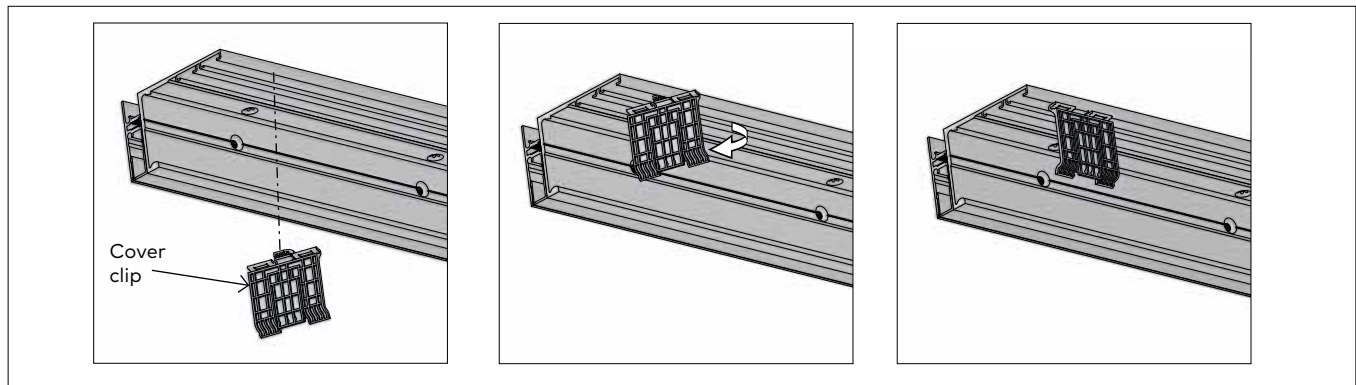
2.27.2 Secure another 'knot' and pull cable through holder as show in image above.

2.27.3 Secure beginning 'knot' in holder clamp.

**NOTE: Be sure there is a 7-7/8" [200] gap between each new 'knot' in the cord.**

## 2.28 Self-close unit: Prepare self-close cable unit

Fig. 27

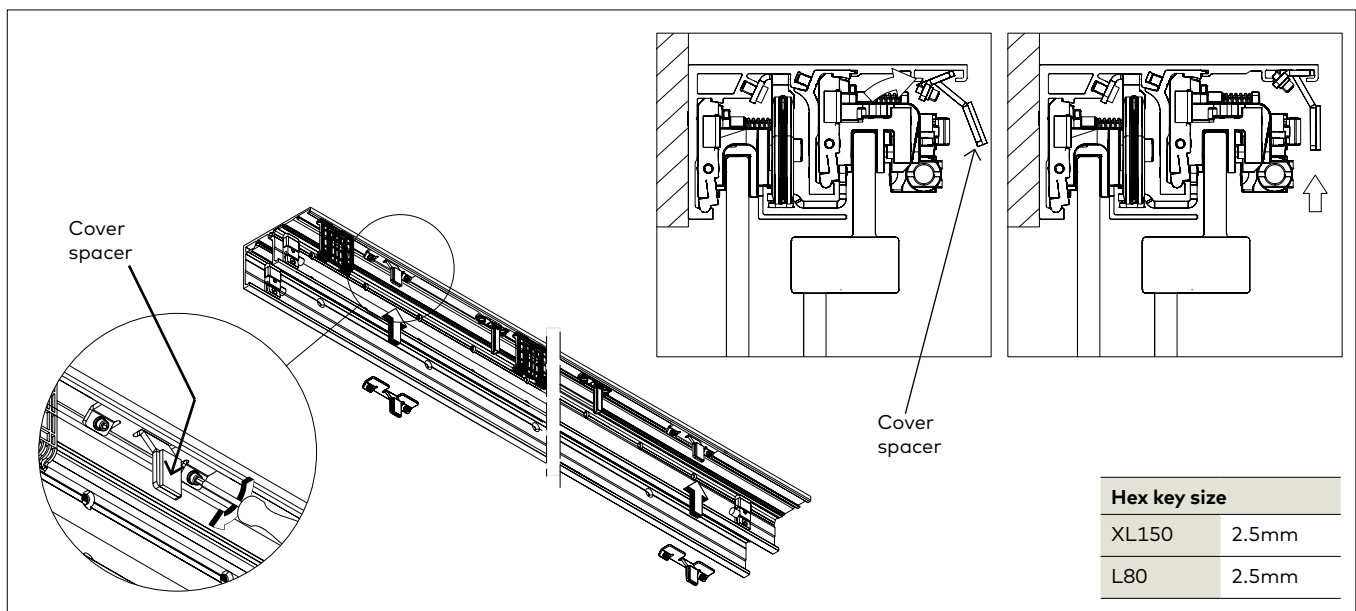


2.28.1 Insert cover clips into track. (One clip per foot)

2.27.2 Insert perpendicular to track, and turn **CLOCKWISE** to snap into place.

## 2.29 Self-close unit: Adjust tension in self-close cable unit

Fig. 28



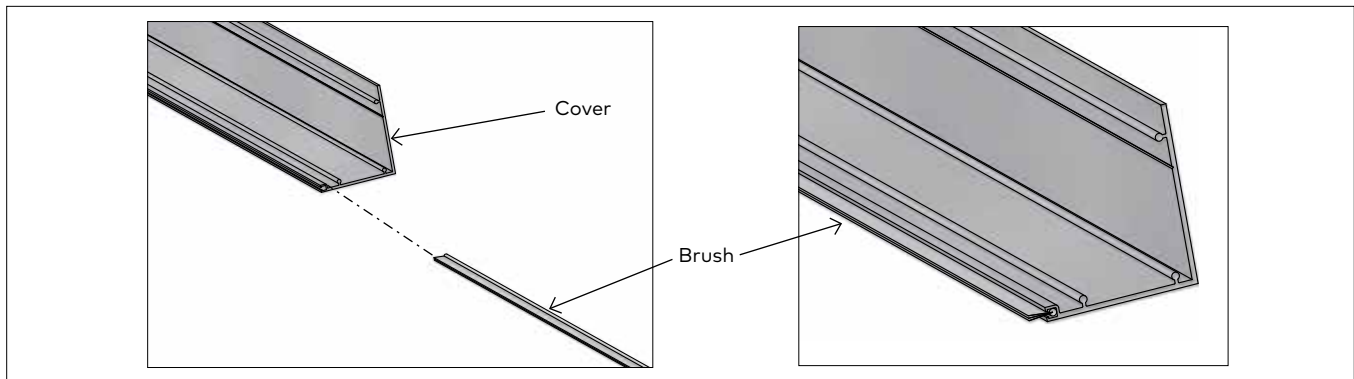
2.29.1 Tip cover spacers into outer most edge of track.

2.28.2 Place one at each end of track as shown.

2.28.3 Tighten at at 0.7 ftl bs [1Nm] or hand tighten.

## 2.30 Install cover clips

Fig. 29

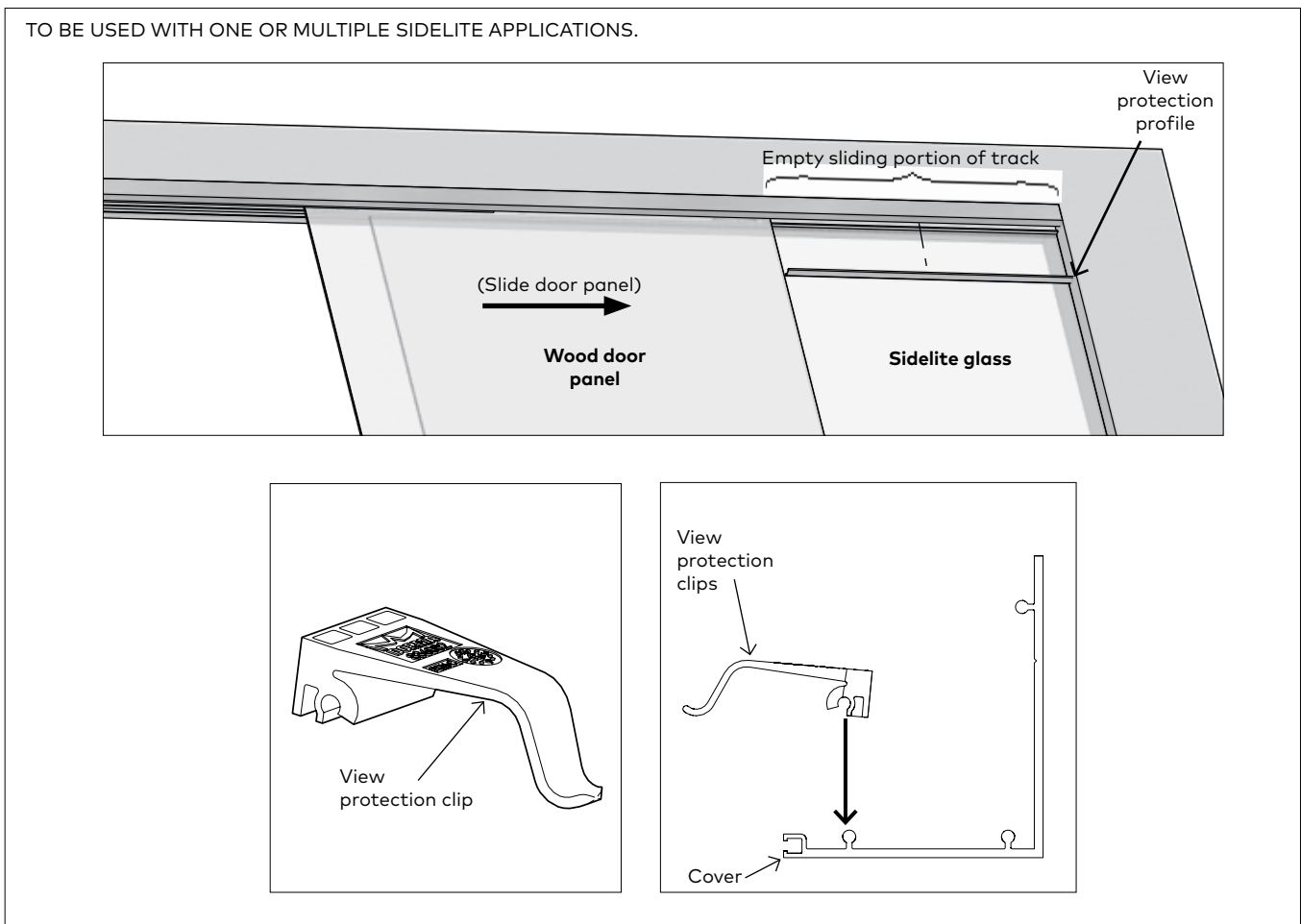


2.30.1 Measure and cut brush to appropriate length.

2.30.2 Slide brush into cover.

## 2.31 Cover spacers

Fig. 30



- 2.31.1 Slide door open until it meets the end stop.
- 2.31.2 Measure and cut view protection profile to fit into empty sliding portion of track - 3/16" [5].
- 2.31.3 Snap view protection clips onto inside of cover as shown.

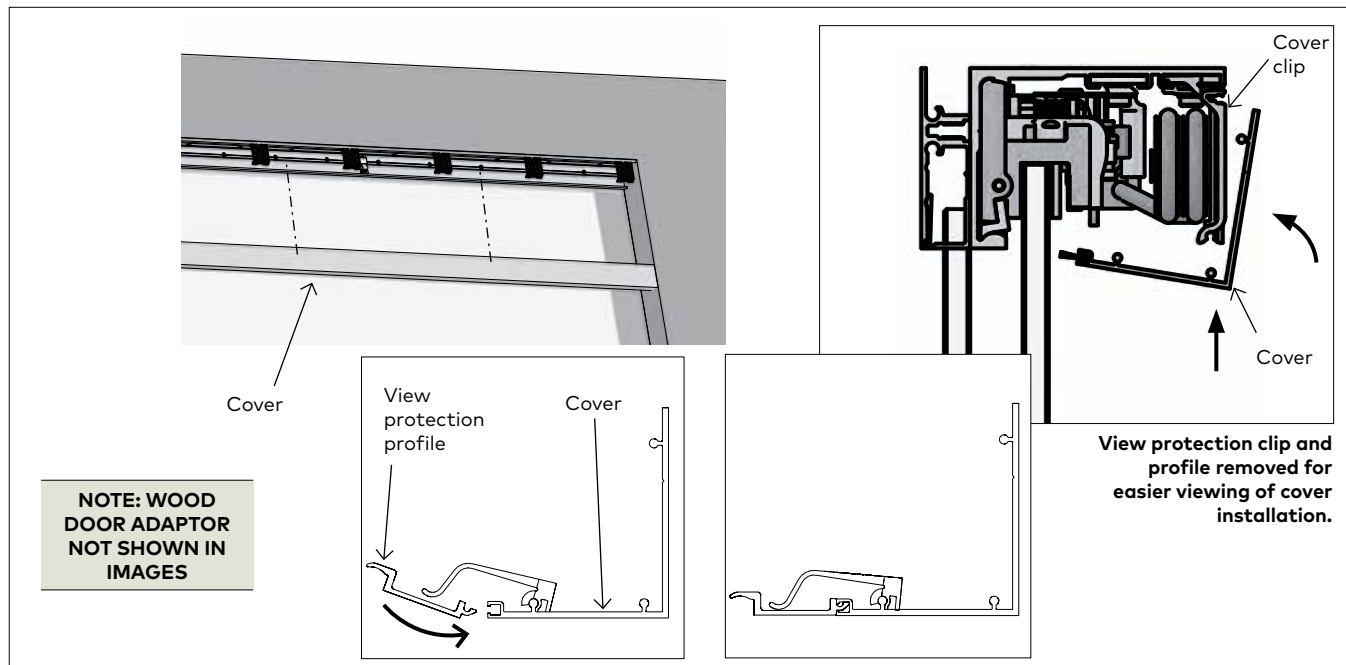
- 2.31.4 Use minimum 1 clip per foot of profile.

**Exception: If profile is minimum of 1 foot in length, use 2 clips.**



## 2.32 Install brush profile

Fig. 32

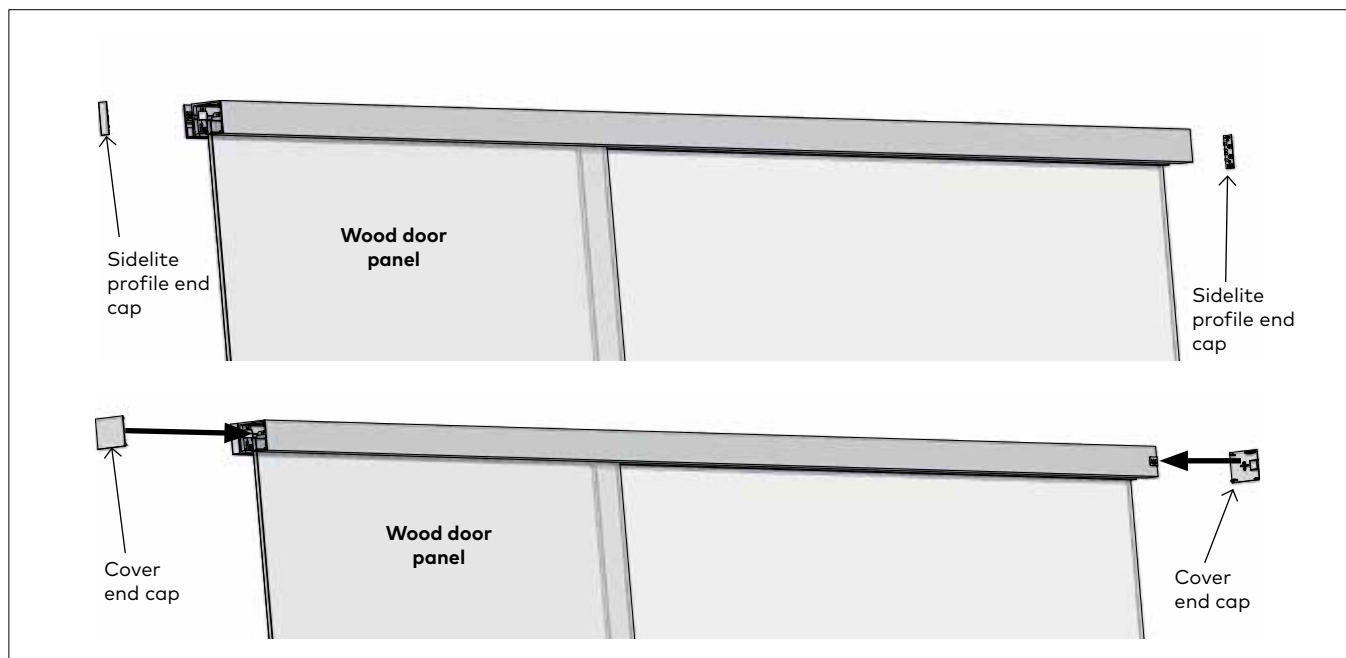


2.32.1 Secure cover to clips and snap into place.  
**NOTE: Roll cover from the bottom upwards. Ensure the bottom of the cover is supported by the groove in the cover clip.**

2.32.2 Tip view protection profile up into track and snap down into cover and onto track as shown.

## 2.33 Install view protection clips

Fig. 33



2.33.1 Snap sidelite profile end caps into sidelite profile.

2.33.2 Snap end caps into cover.



**Scan for product details and downloads.**

Call 800-523-8483 or visit  
[glasstechserv.us@dormakaba.com](mailto:glasstechserv.us@dormakaba.com)  
for assistance or warranty information

**dormakaba USA, Inc.**  
**1 Dorma Drive, Drawer AC**  
**Reamstown, PA 17567**